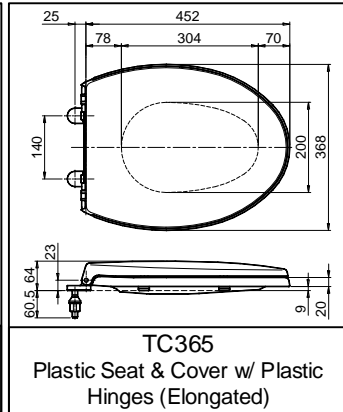
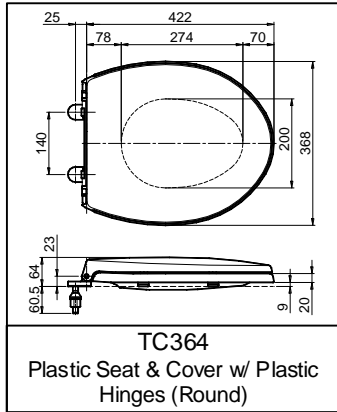


SPECIFICATIONS



ATTENTION

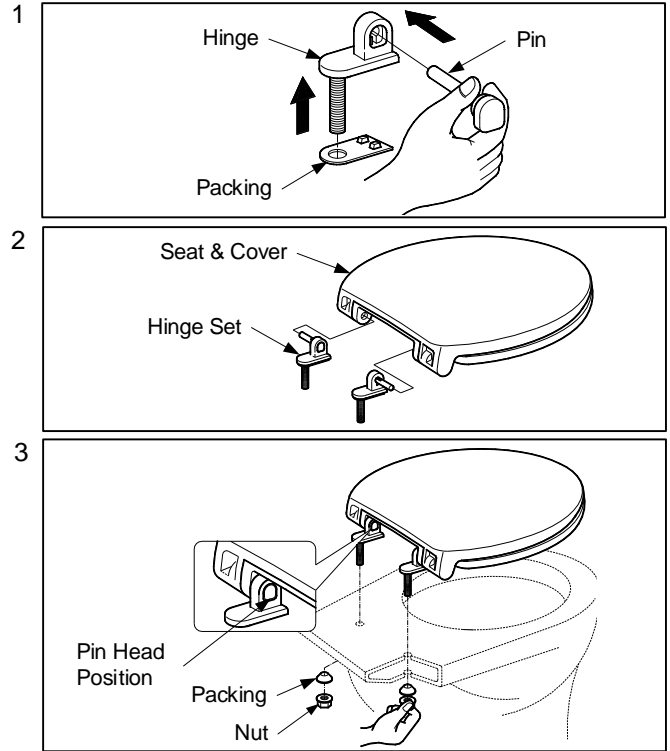
1. For your safety please don't step on the toilet seat.
2. Please don't install the seat & cover at sunshine area, because it cause change the color.

MAINTENANCE

1. Always wipe Seat & Cover area with wet soft cloth, and sometimes wipe it with cloth soaked in liquid Seat & Cover cleaner.
2. All Finishes : Clean the finish with mild soap and warm water. Wipe entire surface completely dry with clean soft cloth. Many cleaners may contain chemicals, such as ammonia, chlorine, toilet cleaner etc. which could adversely affect the finish and are not recommended for cleaning

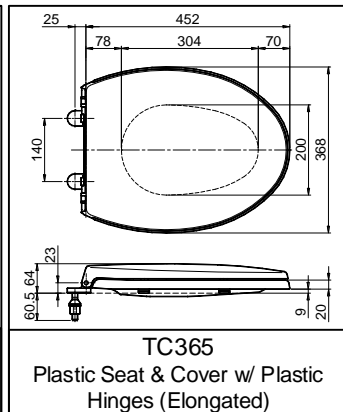
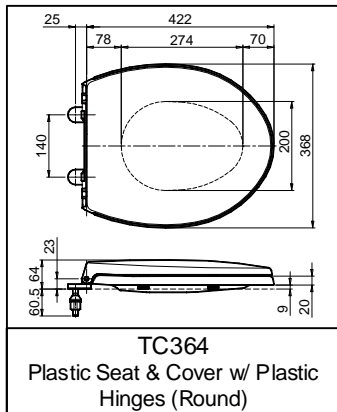
S06602R

INSTALLATION



R1

SPECIFICATIONS



ATTENTION

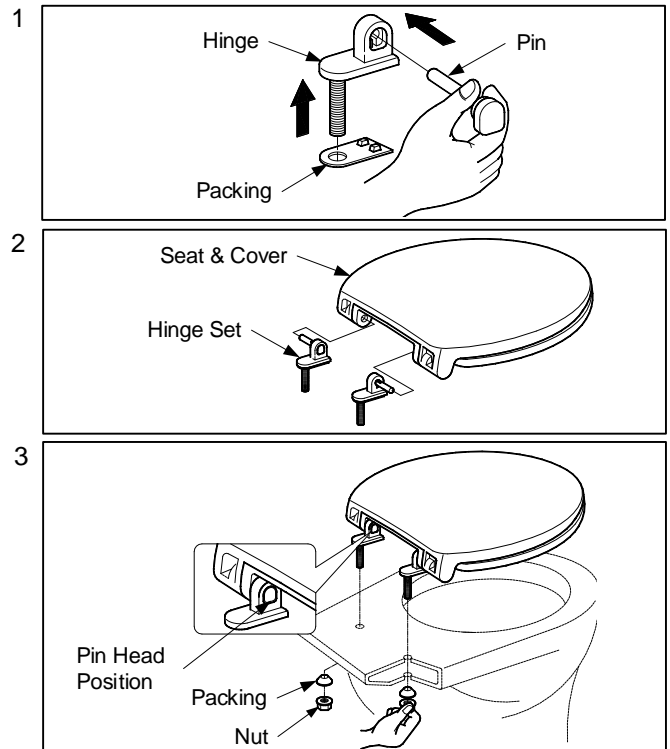
1. For your safety please don't step on the toilet seat.
2. Please don't install the seat & cover at sunshine area, because it cause change the color.

MAINTENANCE

1. Always wipe Seat & Cover area with wet soft cloth, and sometimes wipe it with cloth soaked in liquid Seat & Cover cleaner.
2. All Finishes : Clean the finish with mild soap and warm water. Wipe entire surface completely dry with clean soft cloth. Many cleaners may contain chemicals, such as ammonia, chlorine, toilet cleaner etc. which could adversely affect the finish and are not recommended for cleaning

S06602R

INSTALLATION

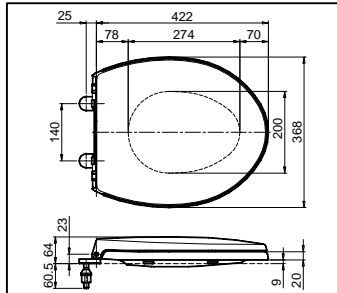


R1

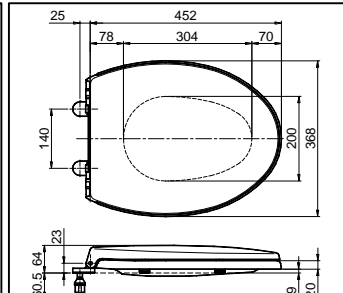
TOTO

TOILET SEAT W/ PLASTIC HINGES

SPESIFIKASI



TC364
Plastic Seat & Cover w/ Plastic Hinges (Round)



TC365
Plastic Seat & Cover w/ Plastic Hinges (Elongated)

PERHATIAN

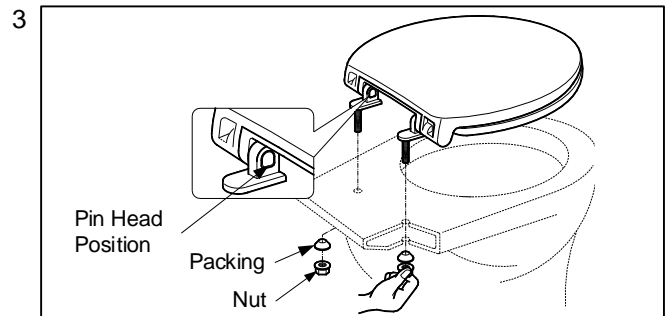
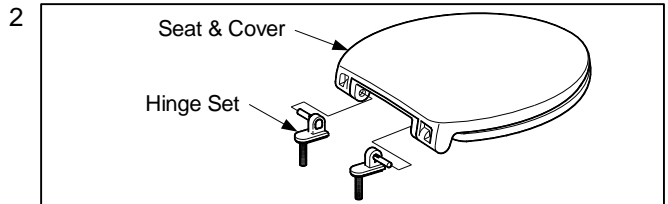
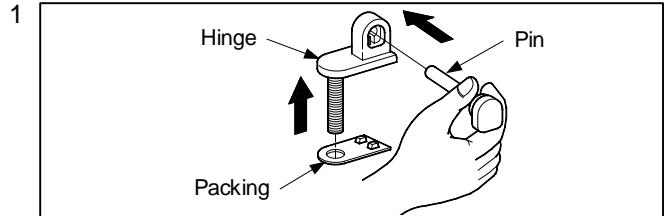
1. Demi keselamatan Anda, jangan menginjak toilet seat.
2. Tolong jangan pasang seat & cover di area sinar matahari, karena menyebabkan perubahan warna.

PEMELIHARAAN

1. Selalu bersihkan area Seat & Cover dengan kain lembut yang basah, dan sesekali lap dengan kain yang dibasahi cairan pembersih Seat & Cover.
2. Seluruh lapisan : Bersihkan lapisan akhir dengan sabun lembut dan air hangat. Lap seluruh permukaan hingga benar-benar kering dengan kain lembut yang bersih. Kebanyakan bahan pembersih mungkin mengandung bahan kimia, seperti amonia, klorin, pembersih toilet, dll. yang dapat mempengaruhi hasil akhir dan tidak disarankan untuk membersihkan

S06602R

PEMASANGAN

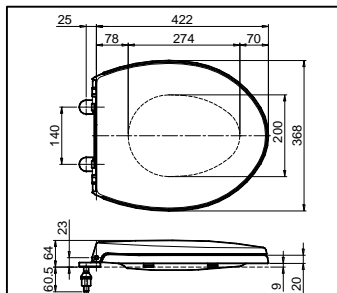


R1

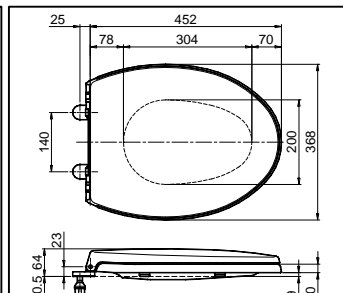
TOTO

TOILET SEAT W/ PLASTIC HINGES

SPESIFIKASI



TC364
Plastic Seat & Cover w/ Plastic Hinges (Round)



TC365
Plastic Seat & Cover w/ Plastic Hinges (Elongated)

PERHATIAN

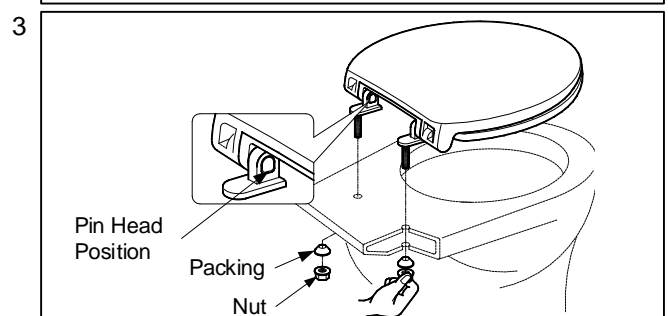
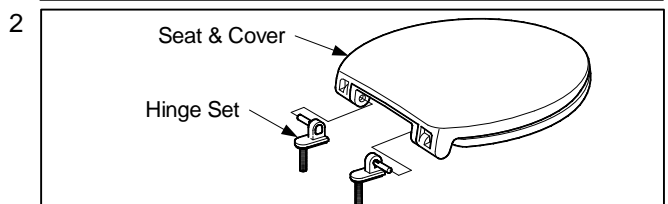
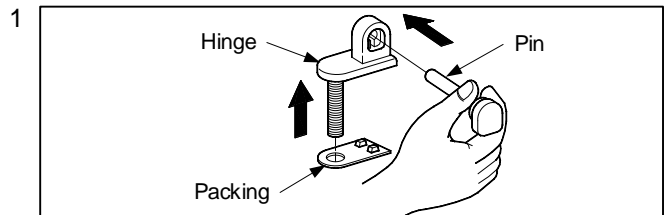
1. Demi keselamatan Anda, jangan menginjak toilet seat.
2. Tolong jangan pasang seat & cover di area sinar matahari, karena menyebabkan perubahan warna.

PEMELIHARAAN

1. Selalu bersihkan area Seat & Cover dengan kain lembut yang basah, dan sesekali lap dengan kain yang dibasahi cairan pembersih Seat & Cover.
2. Seluruh lapisan : Bersihkan lapisan akhir dengan sabun lembut dan air hangat. Lap seluruh permukaan hingga benar-benar kering dengan kain lembut yang bersih. Kebanyakan bahan pembersih mungkin mengandung bahan kimia, seperti amonia, klorin, pembersih toilet, dll. yang dapat mempengaruhi hasil akhir dan tidak disarankan untuk membersihkan

S06602R

PEMASANGAN



R1